



AD-200

Standalone electronic lock



Overview

AD Series electronic locks from Schlage are designed to be modular and provide more options to choose from, more functionality in the lock and more compatibility with existing systems. Its patent-pending modular design allows the lock to be customized to fit the needs of an application now, and can change to meet future needs without removing it from the door.

Factory orderable options include choices of credential readers, chassis type, locking functions, power options, lever styles and finishes. It also offers a wide selection of features that can be configured in the field to customize your openings.

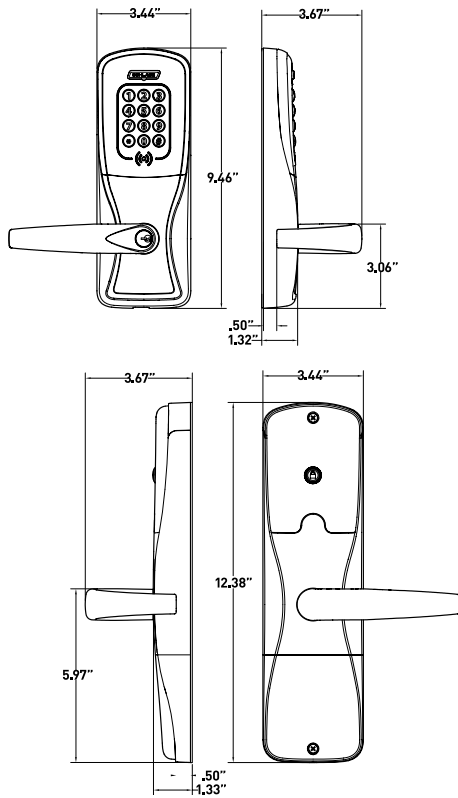
The AD-200 is a simple, economical solution if no access control system currently exists in facility, or for openings that don't require the control of a networked solution. The AD-200 is easily upgradable to a networked lock if requirements change in the future.

On all AD Series standalone locks, Schlage has built in many of the incremental features needed in a networked system such as request-to-exit and -enter sensors, interior cover tamper guard, as well as the door position switch. This way, if the customer chooses to network this opening in the future, all the components will be there to make the transition an easy one.

Features and benefits

- Security that's more intelligent and convenient than traditional mechanical locking devices
- Audit trail reports that allow you to track usage and events
- Update users and access rights at the lock using the keypad or handheld device
- The ability to upgrade to a networked solution without removing the lock from the door
- Available in cylindrical, mortise, mortise deadbolt and exit trim
- Compatible with major brands of master key systems and exit devices
- Hardwired remote push button release capability
- AD Series with multi-technology readers are NFC compatible¹
- ANSI/BHMA A156.25, ANSI/BHMA Grade 1, UL 294, UL 10C, FCC Part 15, ADA, RoHS

¹ Please refer to aptiQmobile compatibility chart for a list of certified devices



AD-200 electronic lock specifications

Users	Up to 5000
Audits	Up to 5000
Credential verification time	≤ 1 second ¹
Visual/audible communications	Tri-colored LEDs and audible indicators (field configurable)
System interface	Handheld Device (HHD)
Power supply	4AA, 8AA, 12 VDC or 24 VDC
Voltage range	4 VDC to 26 VDC
Max current requirement	Up to 250 mA
Battery life	Up to 2 yrs with 4AA
Operating temperature - exterior	-31° to 151°F (-35° to 66°C)
Operating temperature - interior	32° to 120°F (0° to 49°C) (battery)
Operating humidity	0 - 100% non-condensing
Certifications	ANSI/BHMA A156.25, ANSI/BHMA Grade 1, UL 294, UL 10C, FCC Part 15, ADA, RoHS
Accessories	Handheld Device (HHD)

Functions

- Classroom/storeroom²
- Office^{2,3}
- Privacy³
- Apartment³

Standard status signals

- Lock/unlock status
- Mechanical key override
- Battery status

Schlage Utility Software on Handheld Device

The Schlage Utility Software (SUS) on the Handheld Device (HHD) provides an easy way to manage people, audits and locks for simple access control management.

Schlage Utility Software

- Initialize lock and accessories
- Field configure devices
 - Credential reader formats
 - Lock function
 - Unlock period
 - Failure mode
 - Audible alarm on/off
- Service and diagnostics
 - Battery status
 - Validate hardware and software revision
 - Troubleshooting status signals
- New device template simplifies configuration

HHD

- 3.5 inch display
- Touch screen/keypad backlit
- 32-bit processor
- OS: Windows Mobile 6.5
- Memory: 128 MB RAM/ 256 MB ROM
- Battery: rechargeable Li-ion
- Dimensions: 5.1" x 2.8" x 0.65" (13.0 cm x 7.2 cm x 1.7 cm)
- Weight: 0.42 lbs (190 g)
- 5 ft (1.2 m) drop to steel surface, 2 drops per 6 sides



The HHD connects with AD Series and CO Series locks and accessories via the USB interface

For replacement HHD devices with a serial cable connection, please contact Technical Support at 877.671.7011.

¹ Verification time is dependent on size of user base

² Classroom/storeroom and office function not available with mortise deadbolt option.

³ Not available on exit trim

Mechanical specifications

Chassis	Cylindrical	Mortise	Exit trim
Handing	Handed to order, field reversible		
ANSI standard (Meets or exceeds)	A156.25 A156.2 Series 4000 Grade 1	A156.25 A156.13 Series 1000 Grade 1	A156.25 A156.3
Door thickness	1 3/4" standard, 1 3/8" to 2 3/4" optional (available in 1/8" increments)		
Backset	Standard: 2 3/4" Optional: 2 3/8", 3 3/4", 5"	2 3/4" only	Defined by exit device
Latch bolt	Standard: 1/2" throw Optional: 3/4" throw	Standard: 3/4" throw Optional: 1" throw on mortise deadbolt	Provided by exit device
Levers	For lever base metals see lever and cylinder compatibility data sheet (010432)		
Strike	Standard: 1 3/16" lip, ANSI, 1 1/4" x 4 7/8" Optional: Additional configurations available please see price book		Provided by exit device
Cylinder and keys	Schlage 6-pin Everest 29 S123 keyway cylinder with two patented keys standard Additional options available including Standard, SFIC, FSIC and competitor brands. See lever and cylinder compatibility data sheet (010432)		

Multi-technology reader specification

Frequency	125 kHz proximity and 13.56 MHz smart card
Standards	ISO standard 15693 and ISO 14443
Maximum read range	Up to 1.25" on 125 kHz proximity, up to 0.75" on 13.56 MHz smart card
125 kHz compatibility	Schlage Proximity, XceedID™ Proximity, HID® Proximity, GE/CASI ProxLite®, AWID® Proximity, LenelProx®
13.56 MHz compatibility	Schlage MIFARE® Classic Secure Sector, XceedID™ MIFARE® Classic Secure Sector, aptiQ® smart cards using MIFARE DESFire™ EV1 with PACSA; PIV and PIV-I ^{3,4}
13.56 MHz compatibility (serial number only)	DESFire® CSN, HID Legacy iCLASS® CSN, Inside Contactless PicoTag® CSN, MIFARE® Classic, MIFARE DESFire™ EV1, ST Microelectronics® CSN, Texas Instruments Tag-It® Serial Number, Phillips I-Code® CSN
125 kHz compatible XceedID credentials	125 kHz clamshell, ISO card, ISO card with magnetic stripe, keyfob, and PVC disk (7000 Series)
13.56 MHz compatible aptiQ™ credentials	aptiQ smart cards using MIFARE® Classic in clamshell, ISO card, ISO card with magnetic stripe, Keyfob and PVC Patch (9000 Series); aptiQ smart cards using MIFARE DESFire™ EV1 in clamshell, ISO card, ISO card with magnetic stripe, keyfob, and PVC disk (8000 Series)
Certifications/standards	FCC, UL 294 Listed, ISO standard 15693, and ISO standard 14443
Style/layout	Option for 12 button, 3x4 matrix backlit keypad

¹ Request-to-exit switch optional for future network migration

² Narrow design and reversible rim exits not compatible

³ 75 bit output format default. Configurable to other output formats. Check with access control provider for specific support.

⁴ Smart card functionality dependant on access control software

⁵ Please refer to aptiQmobile compatibility chart for a list of certified devices

AD Series exit trim

Installed with a universal mounting plate, the AD Series exit trim is compatible with the following exit devices:

- Von Duprin 98/99 & 98/99XP¹ Rim, surface vertical rod, mortise. Concealed vertical cable and concealed vertical rod on metal doors only.
- Von Duprin 22/22F¹ Rim, surface vertical rod
- Falcon 25¹ - Rim
- Sargent® 80² Series - Rim
- Precision™ 21 Rim 2100 converts to 21 with Precision's BP21 kit
- Corbin Russwin® 5000 Series - Rim
- Yale® 7000 - Rim
- Dorma® 9300 - Rim

Benefits of AD Series multi-technology readers:

- Reads both proximity (125 kHz) and smart (13.56 MHz) technologies with single device
- AD Series multi-technology readers are NFC compatible⁵
- Allows end user to migrate to more secure credentials over time and as budgets permit

Additional readers

Magnetic stripe

- Now available with choice of insertion or swipe style readers
- Triple track reader (1, 2 or 3), field configurable
- ABA, ISO76XX Standard
- Option for 12 button, 3x4 matrix backlit keypad

Keypad

- Backlit keypad
- 12 button, 3x4 matrix

Available AD Series reader modules



Multi-technology

- Proximity
- Smart card
- KEYPAD



Multi-technology

- Proximity
- Smart card



Magnetic stripe (insertion)

- KEYPAD



Magnetic stripe (insertion)



Magnetic stripe (swipe)

- KEYPAD



Magnetic stripe (swipe)



Keypad

Ordering information

Available through one of our GSA schedule 84 approved distributions; BAA options available

AD-200-CY-70-MG-SPA-626-PD-S123-RH-4B-13-049-10-025-1 3/4

Series	Class	Chassis	Function	Reader	Lever style	Finish	Lever cylinder	Keying type	Handing	Battery	Backset and latch	Strike	Door thickness
1	2	3	4	5	6	7	8	9	10	11	12	13	14

Selections correspond with the numbers above

Standards options are indicated in bold. See price book for specific configuration options.

3	Chassis
CY	Cylindrical
MS	Mortise
MD	Mortise deadbolt
993R	Exit trim – Rim/CVC/CVR
993S	Exit trim – SVR
993M	Exit trim – mortise
993DT	Non-functioning dummy trim for exit
4	Function
70	Classroom/storeroom
50	Office
40	Privacy
60	Apartment
5	Reader
KP	Keypad
MG	Magnetic stripe (insertion)
MGK	Magnetic stripe + keypad (insertion)
MS	Magnetic stripe (swipe)
MSK	Magnetic stripe + keypad (swipe)
MT	Multi-technology (125kHz and 13.56 MHz)
MTK	Multi-technology + keypad (125kHz and 13.56 MHz)
DT	Dummy trim

6	Lever
SPA	Sparta
RHO	Rhodes
ATH	Athens
TLR	Tubular
Available with knurled surface	
7	Finish
626	Satin chrome
605	Bright brass
606	Satin brass
612	Satin bronze
619	Satin nickel
625	Bright chrome
643e	Aged bronze
626AM	Satin chrome antimicrobial
8	Lever cylinder type
PD	Schlage 6-pin full cylinder
See price book for other SFIC, FSIC and Less Cores options available. Compatible with Schlage, Sargent, Corbin, Medeco and Yale.	
9	Keyway type
S123	Everest 29
See price book for other available keyway options including master keying	
10	Handing
RH	Right handed
LH	Left handed
Field reversible	

11	Battery
4B	4AA
8B	8AA
12	Backset and latch or armor front
Cylindrical	
13-049	2 3/4" backset, deadlatch, square corner, 1 1/8" x 2 1/4"
Mortise	
09-663	Armor front, 1 1/4" wide, square corner
See price book for mortise deadbolt and other backset and latch options or armor front options	
13	Strike
Cylindrical	
10-025	1 3/16" lip, ANSI, no box, 1 1/4" x 4 7/8"
Mortise	
10-072	1 3/16" lip, 1 1/4" x 4 7/8" square corner, box
See price book for other available strikes	
14	Door thickness
1 3/4"	
Other thicknesses available between 1 3/8" and 2 3/4"	
See price book for detail	

Lever styles

Standard cylinders shown, SFIC and FSIC also available.



Sparta Rhodes



Athens Tubular

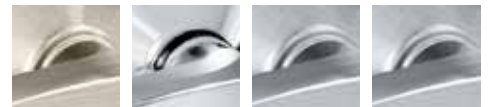
Finishes

Warm tone finishes.



605 Bright brass 606 Satin brass 612 Satin bronze 643e Aged bronze

Cool tone finishes.



619 Satin nickel 625 Bright chrome 626 Satin chrome 626AM Satin chrome with antimicrobial

Allegion, the Allegion logo, Schlage, the Schlage logo, XceedID, Von Duprin, Falcon and aptiQ are trademarks of Allegion plc, its subsidiaries and/or affiliates in the United States and other countries. All other trademarks are the property of their respective owners.

About Allegion

Allegion (NYSE: ALLE) is a global pioneer in safety and security, with leading brands like CISA®, Interflex®, LCN®, Schlage® and Von Duprin®. Focusing on security around the door and adjacent areas, Allegion produces a range of solutions for homes, businesses, schools and other institutions. Allegion is a \$2 billion company, with products sold in almost 130 countries. For more, visit www.allegion.com.

aptiQ ■ LCN ■ SCHLAGE ■ STEELCRAFT ■ VON DUPRIN



ALLEGION™

© 2015 Allegion
004442, Rev. 08/15
www.allegion.com/us